

Breather Filters

Brass

SPECIFICATION

- Valve body
- Brass **MS**
- Breather cap
- Stainless steel AISI 304 **M**
- Air filter
 - Stainless steel wire mesh AISI 304
 - Filter category G2-G3
 - Mean separation rate (Am approx. 65 - 85 %, based on a particle size > 10 µm)
- Seal DIN 7603 A
- Soft iron 1.0338
- Temperature resistant from -30 °C to +200 °C



INFORMATION

Breather filters GN 882 are used when the air exchange is to be allowed between the inside of the container and the ambient air. The filter function is marked by a blue color ring.

The stainless steel wire mesh prevents air-borne particles of a certain size from being carried from the outside to the inside of the container. It also ensures that e.g. oil particles do not escape to the outside.

The above diagram shows the air passage as a factor of the differential pressure.

The recommended installation position is vertical to the top.

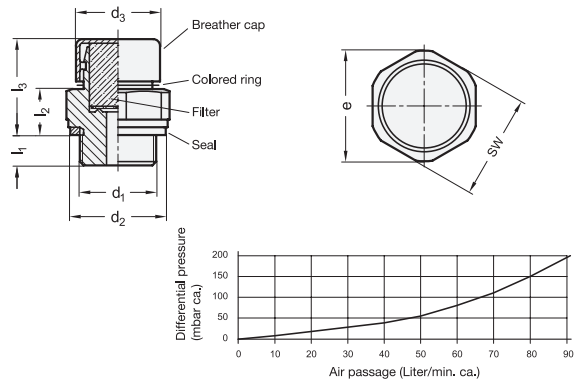
Assembly instruction:
For mounting on walls of less than 4 mm thickness please use mounting nuts GN 7430 (see page).

ACCESSORY

- Mounting Nuts GN 7430 (see page).

ON REQUEST

- Other materials
- With dipstick



GN 882

Description	d1	d2	d3	e	l1	l2	l3	A/F	△p
GN 882-M12x1.5-MS-M	M 12 x 1.5	18	20	23.5	8.5	11.5	24.5	22	40
GN 882-M14x1.5-MS-M	M 14 x 1.5	20	20	23.5	8.5	11.5	24.5	22	44
GN 882-M16x1.5-MS-M	M 16 x 1.5	22	20	23.5	8.5	11.5	24.5	22	49
GN 882-M18x1.5-MS-M	M 18 x 1.5	24	20	23.5	8.5	11.5	24.5	22	53
GN 882-M20x1.5-MS-M	M 20 x 1.5	26	20	29	8.5	11.5	24.5	27	75
GN 882-M22x1.5-MS-M	M 22 x 1.5	27	20	29	8.5	11.5	24.5	27	79
GN 882-M24x1.5-MS-M	M 24 x 1.5	29	20	32.5	8	12	25	30	97
GN 882-M26x1.5-MS-M	M 26 x 1.5	32	20	34	8	12	25	32	113
GN 882-M30x1.5-MS-M	M 30 x 1.5	36	20	39	8	12	25	36	148
GN 882-G1/4-MS-M	G 1/4	20	20	23.5	7.5	10.5	24.5	22	42
GN 882-G3/8-MS-M	G 3/8	22	20	23.5	8.5	11.5	24.5	22	49
GN 882-G1/2-MS-M	G 1/2	26	20	29	8	12	25	27	75
GN 882-G3/4-MS-M	G 3/4	32	20	34	8	12	25	32	113
GN 882-G1-MS-M	G 1	39	20	44	8	12	25	41	186